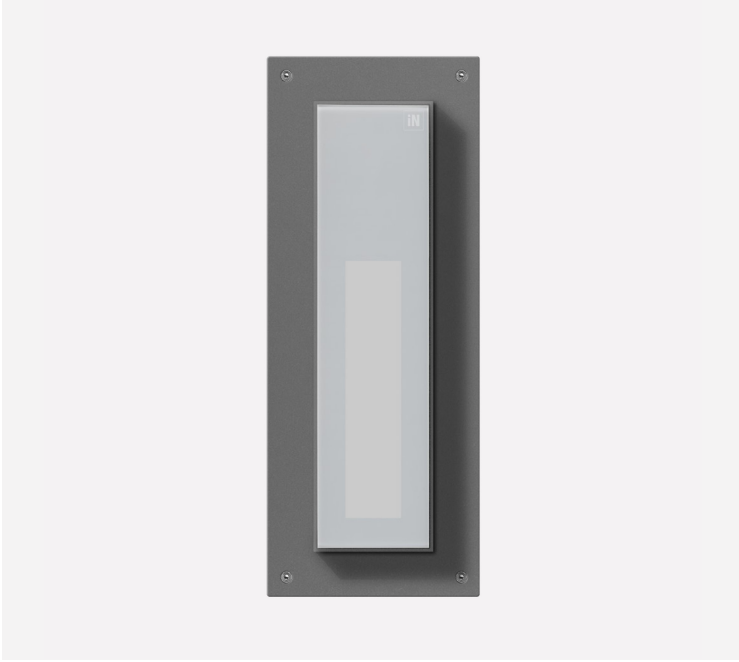


# INSERT+ 1V SM GLASS



Wall mount series. Fixtures consist of:

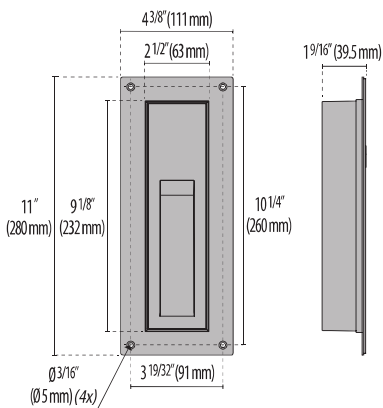
- Multi-step powder-coat painting process, optimized against UV rays and corrosion.
- Copper-free (<1%) precision die-cast aluminum housing and ring/faceplate.
- Frosted, tempered, silk-screened, flat glass diffuser.
- Custom molded, anti-aging gasket(s).
- Custom MCPCB utilized to maximize heat dissipation and promote long LED life.
- To be used with a 24 V low-voltage driver (ordered separately, consult factory for more information).
- Pre-wired factory sealed cable for external electrical connection included.

- The luminaire may be configured with numerous options and multiple standard finishes. Not all options are available in all configurations. Consult factory for more information about specification sheet details to build your light.
- Stainless steel recessed rough-in kit to be ordered separately.
- Product meets Buy American Act (BAA) requirements within ARRA.
- 5-year warranty.



## FINISHES

- AN-96 / Iron gray / Textured
- GR-94 / Aluminum metallic / Textured
- WH-87 / White / Textured
- BK-81 / Black / Textured
- RB-10 / Iron rust / Textured



Lumen Output	3K	4K
INSERT+ 1V SM GLASS	160	167



Scan here for  
installation instructions

# Order Guide – INSERT+1V SM GLASS



Order code example: I+1VSMG-5W-30K-WH

I+1VSMG						
SERIES	Wattage	CCT	Finish	Voltage	Controls	Accessories
I+1VSMG Insert+1V SM GLASS	5 5W* (max)	30K* 3000K  40K* 4000K	AM Aluminum Metallic*  IG Iron Gray*  IR Iron Rust  BK Textured Black  WH Textured White*  CC Custom Color			
					Contact Factory for Remote driver options	

\*STANDARD OPTION, SHORTER LEAD TIME, NO MOQ\*

80 CRI STANDARD - OTHER OPTIONS AVAILABLE